



Standard Features & Accessories

All models include

- Exclusive VariSimmer™ setting for all burners
- Removable porcelain burner bowls
- Drip tray with roller bearing glides and two-quart drip pan

6B model includes

- Six 15,000 BTU stainless steel burners with porcelain/cast iron caps and automatic ignition/re-ignition

4G model includes

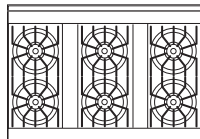
- Four 15,000 BTU stainless steel burners with porcelain/cast iron caps and automatic ignition/re-ignition
- 18"W. thermostatically controlled steel griddle/simmer plate

4Q model includes

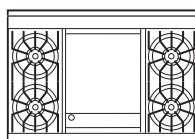
- Four 15,000 BTU stainless steel burners with porcelain/cast iron caps and automatic ignition/re-ignition

- 12"W. grill with flavor generator plates and automatic ignition/re-ignition

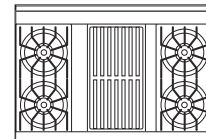
Model Options



VGRT421-6B*
42"W. Six-Burner Rangetop



VGRT421-4G*
42"W. Four-Burner/Griddle Rangetop



VGRT421-4Q*
42"W. Four-Burner/Grill Rangetop

FINISH DETAILS FOR ALL MODELS

- Stainless Steel (SS), Black (BK), White (WH), Metallic Silver (MS), Graphite Gray (GG), Stone Gray (SG), Taupe (TP), Biscuit (BT), Cotton White (CW), Oyster Gray (OG), Golden Mist (GM), Lemonade (LE), Sage (SA), Mint Julep (MJ), Sea Glass (SE), Iridescent Blue (IB), Viking Blue (VB), Pumpkin (PM), Racing Red (RR), Apple Red (AR), Burgundy (BU), Plum (PL), Chocolate (CH), and Cobalt Blue (CB).
 - o Finish designates color of enamel control panel.
 - o Units have black porcelain grates, black porcelain burner caps, black porcelain grate support/burner bowls and white knobs.
- White (WH)
 - o White finishes have white enamel control panels, black porcelain grates, black porcelain burner caps, white porcelain grate support/burner bowls and white knobs.
- All finishes have stainless steel drip tray pull, and landing ledge.
- Brass Trim Option (BR)—nameplate, drip tray pull, knob bezels and grate support side trim. Brass components have a durable protective coating for maintenance-free normal use

*Shown throughout with 6"H. backguard. See **Installation Notes & Accessories** for details.

ORDERING INSTRUCTIONS

First specify model number, and then color code (VGRT421-6BSS). If ordering optional brass trim, specify code at end (VGRT421-6BSSBR). If ordering optional LP conversion, specify code at end (VGRT421-6BSSBRLP).





COOKING

Professional Built-In Gas 42"W. Open Burner Rangetop



★ Please see Installation Notes & Accessories for important installation information, including backguard, high-shelf, and island trim.



Star-K Kosher Certification for use on the Jewish Sabbath or Jewish holidays

Dimensions & Specifications

PRODUCT DIMENSIONS



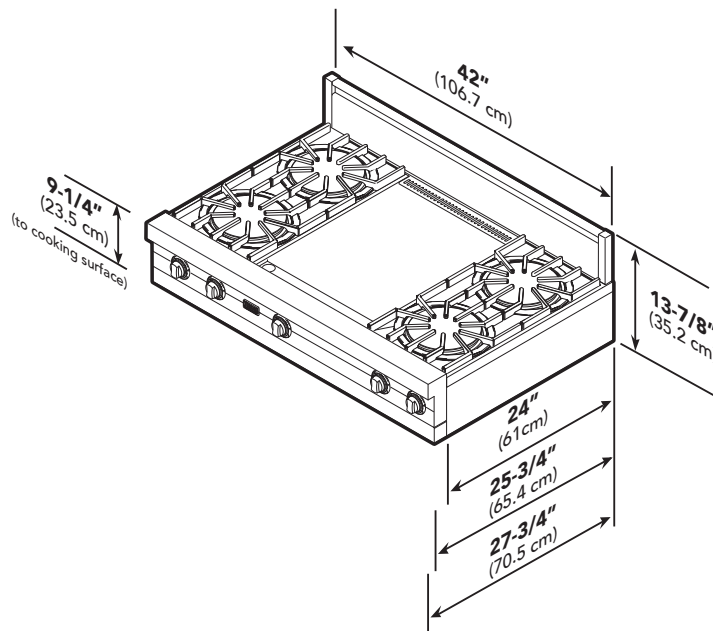
VGRT421-6B
42"W. Six-Burner
Rangetop



VGRT421-4G
42"W. Four-Burner/
Griddle Rangetop



VGRT421-4Q
42"W. Four-Burner/
Grill Rangetop



All models

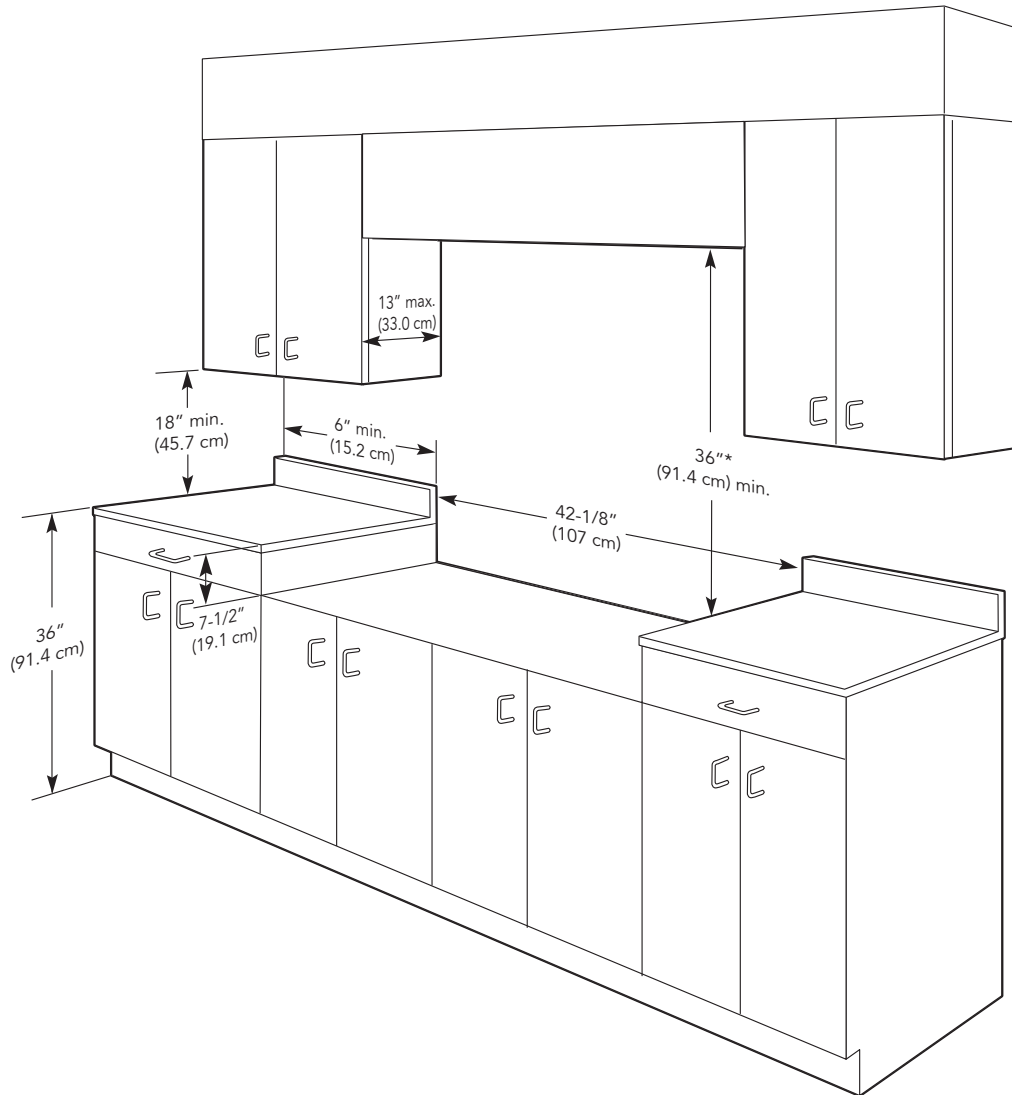
Overall width	42" (106.7)
Overall height (from bottom)	
To cooking surface	9-1/4" (23.5 cm)
To top of island trim	8-7/8" (22.5 cm)
To top of 6" backguard	13-7/8" (35.2 cm)
To top of high shelf	31-3/8" (79.7 cm)
Overall depth (from rear)	
To end of side panel	24" (61.0 cm)
To end of control panel	25-3/4" (65.4 cm)
To end of knobs	27-3/4" (70.5 cm)





Dimensions & Specifications

CLEARANCE DIMENSIONS



Minimum clearances from adjacent combustible construction

- Cooking surface and below, i.e., 36" (91.4 cm) and below
 - o Sides—0"
 - o Rear
 - 0" with backguard or high-shelf
 - 0" with island trim and non-combustible rear wall
 - 6" (15.2 cm) with island trim and combustible rear wall.
 - o Top grate support—36" (91.4 cm)
 - Important:** The top grate support **must** be 3/8" (.95 cm) above the adjacent base cabinet countertop.
- Above cooking surface, i.e., above 36" (91.4 cm)
 - o Sides—6" (15.2 cm)
 - o Within 6" (15.2 cm) side clearance, wall cabinets no deeper than 13" (33.0 cm) must be minimum 18" (45.7 cm) above cooking surface.
- Wall cabinets directly above product must be minimum 36" (91.4 cm) for open top burners above cooking surface

* This minimum height requirement does not apply if a rangehood is installed over the cooking surface.

Do not install two or more units side-by-side.



COOKING

Professional Built-In Gas 42"W. Open Burner Rangetop



UTILITY REQUIREMENTS



GAS

- o Shipped natural gas standard; convert to LP/propane with standard convertible regulator
- o Accepts standard residential 1/2" (1.3 cm) ID gas service line
- o Gas manifold pressure
 - o Natural gas 5.0" W.C.P.
 - o LP/Propane 10.0" W.C.P.



ELECTRICAL

- Four-foot (121.9 cm) cord included with rangetop
- Three-wire with ground/three-prong plug
- 120 V/60 Hz
- Maximum amp usage—
 - o 6B—0.6
 - o 4G—3.9
 - o 4Q—0.6



PLUMBING

Not applicable

Installation Requirements

ACCESS REQUIREMENTS



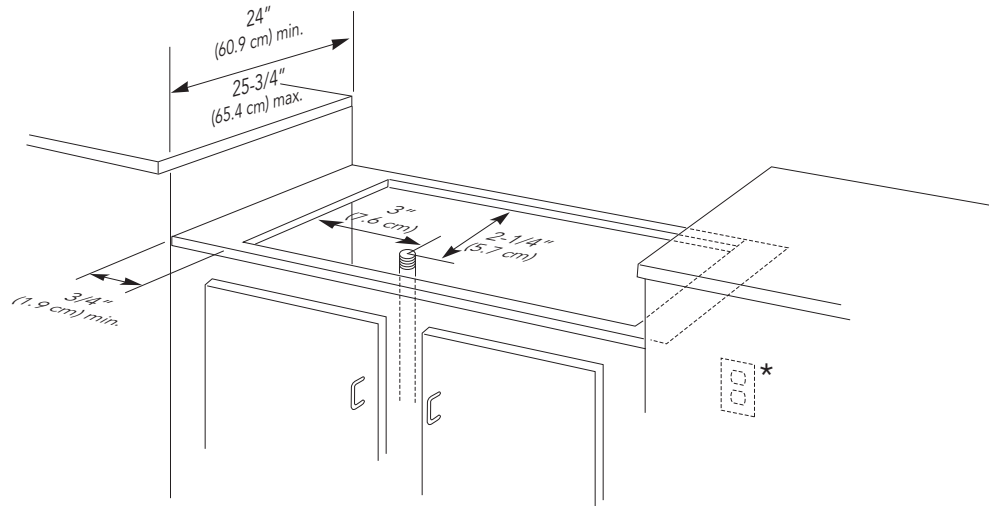
VGRT421-6B
Six-Burner
Rangetop



VGRT421-4G
Four-Burner/
Griddle Rangetop



VGRT421-4Q
Four-Burner/
Grill Rangetop



*120 VAC/60 Hz within 48" (121.9 cm) of right rear of rangetop

	VGRT421-6B	VGRT421-4G	VGRT421-4Q
Cutout width		42-1/8" (107.0 cm)	
Cutout height		7-1/2" (19.1 cm)**	
Cutout depth		24" (61.0 cm) min. 25-3/4" (65.4 cm) max.	
Surface burner rating			
Four grated burners		15,000 BTU Nat. (4.4 kW)/ 13,500 BTU LP (4.0 kW)	15,000 BTU Nat. (4.4 kW)/ 13,500 BTU LP (4.0 kW)
Six grated burners	15,000 BTU Nat. (4.4 kW)/ 13,500 BTU LP (4.0 kW)		
One griddle		15,000 BTU Nat. (4.4 kW)/ 13,500 BTU LP (4.0 kW)	
One grill			18,000 BTU Nat. (5.3 kW)/ 16,000 BTU LP (4.7 kW)

**Top of grate support should be 3/8" (1.0 cm) above countertop.





COOKING

Professional Built-In Gas 42"W. Open Burner Rangetop



✦ Installation Notes & Accessories

A backguard, high-shelf, or island trim must be used for all installations.

6"H. Backguard

- Stainless Steel (SS)
- Coordinates with all finishes

Model	Description	Approx. ship wt. lbs. (kg)
T42BG6	42"W. backguard	21 (9.5)

High-shelf

- Stainless Steel (SS)
- Coordinates with all finishes
- Shelf comes attached to a 24"H. backguard

Model	Description	Approx. ship wt. lbs. (kg)
T42HS24	42"W. high-shelf	55 (24.8)

Island Trim

- Stainless Steel (SS)
- Coordinates with all finishes
- For island/peninsula installation
- Can replace backguard if wall is non-combustible

Model	Description	Approx. ship wt. lbs. (kg)
T42TII	42"W. island trim	13 (6.8)

Countertop Side Trim

- Stainless Steel (SS)
- Coordinates with all finishes
- Installs on side of unit; overlaps countertop
- One pair of trim

Model	Description	Approx. ship wt. lbs. (kg)
T24CST	Side trim	2 (0.9)

LP/Propane Conversion Kit

- Allows for field conversion of range from natural gas to LP

Model	Description	Approx. ship wt. lbs. (kg)
LPKRR	Natural to LP/propane conversion kit	2 (0.9)

Compliance Information



WARRANTY INFORMATION*

- One-year full warranty—complete product
- Ten-year limited warranty—surface burners, griddle burners, and grill burners
- Ninety-day limited warranty—cosmetic parts such as glass, painted, and decorative items

* For complete warranty see *Use & Care Guide*. Warranty valid on Viking products shipped within the United States and Canada.

